

# AlluGuard

## Roller Garage Doors



# AlluGuard

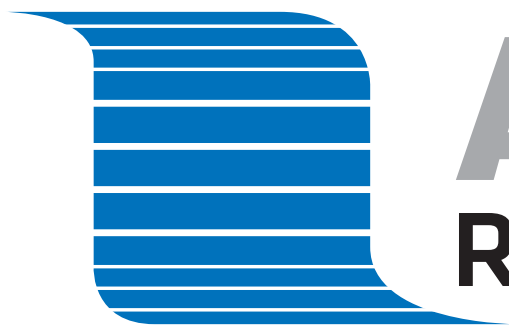
## Roller Garage Doors and Window Shutters

**Secured by Design**



**Police Preferred Specification**

March **2015**



# AlluGuard

## Roller Garage Doors

AlluGuard is a British owned company manufacturing quality products providing customer support levels without compromise.

With brand new premises located in Rotherham, South Yorkshire, AlluGuard invest in local people and local skills and we are proud to employ staff who are totally committed to producing a successful range of products that are specifically designed to meet our customers needs.

AlluGuard offer the very best levels of product quality backed by a real focus on after sales support.

We provide our installer customers with factory based training, providing them with the high level of skills homeowners expect when having their new door installed and commissioned.

AlluGuard take great pride in producing a product range specifically targeted at the British market, reflecting the particular needs of our key customer base.

This has been achieved by listening to our customers and designing our products to a much higher specification than available elsewhere.

These enhancements include superb quality finishes and unique high security rolling and locking systems, all through to innovative packaging that avoids accidental damage in transport or on site - thereby ensuring your new door gets to you in pristine condition.

The recent introduction of window shutters for both domestic and commercial applications is a very successful reflection of the progressive and forward thinking approach of AlluGuard and clearly showcases our innovative and considered response to our customers needs.

We know you will be delighted with your new AlluGuard doors or window shutters and they will remain looking good and operating securely for many years to come.





AlluGuard prides itself on developing a leadership role within the garage door industry. We constantly challenge ourselves to offer an unrivalled range and diversification of products. To compliment this abundance of products we constructed a 10,000 square foot facility, engineered specifically for our manufacturing and distribution process.

Each detail was meticulously planned with an eye toward maximum operational efficiency. We undertook this process because we know our customers have come to expect the latest from AlluGuard in innovative designs and technology advances while relying on our judgement to guide them forward.

Delivering quality customer service continues to be the cornerstone of our business. Our professionally trained staff of experienced men and women welcome with open arms the everyday challenges which exist in our industry. This loyalty and dedication shared by our staff is matched by the same sentiment as expressed by our long list of customers over these many years. At AlluGuard, our team recognises we will be judged by the most recent experience each customer has with us. As such, we work diligently to make each transaction as efficient, productive, and as pleasant as possible.

Long ago we realised we are only as strong as the relationship we continue to build upon between our suppliers and customers. For this reason we strive to bridge this gap and offer innovative solutions, whatever the specific industry needs require.

All of us at AlluGuard never tire of saying thank you to our customers for allowing us to serve them. Each day we pledge to continue to do all we can to earn your business. To those potential customers viewing us for the first time, I invite you to try us and see for yourself why so many other companies benefit from their relationship with AlluGuard.

Gary Brooks  
Managing Director

## Secured by Design

The only form of national police accreditation for security products.

Secured by Design (SBD) is the UK Police flagship initiative that is founded on the principles of designing out crime and crime prevention.

At the core, SBD aims to bring together elements of physical security with environmental design, layout and construction of homes and commercial premises, town centres, schools, hospitals and car parks.

In doing so SBD supports one of the Government's key planning objectives: the creation of secure, quality places where people wish to live and work.

Research carried out by Huddersfield University shows that residents living on Secured by Design Developments are half as likely to be burgled and two and a half times less likely to suffer vehicle crime. Secured by Design Developments also benefit from 25% less criminal damage.



## Product Accreditation

To achieve Secured by Design accreditation, manufacturers must ensure that their products meet the minimum security standards specified by SBD.

Once a product has been tested and certified to the relevant standard, the company may apply for SBD membership.

On approval, all member companies benefit from the use of the Secured by Design logo on their approved products.

The use of the SBD 'Police Preferred Specification' logo quickly identifies to specifiers and the public the quality and resilience of the security products without the need to understand complex technical papers.



## No other door is quite like AlluGuard

AlluGuard takes the concept of the roller garage door to a new level. It out-performs the ordinary garage door for ease of use, insulation, finishes, safety and security and all doors are manufactured under strict and controlled guidelines.

More and more homes are benefiting from an AlluGuard roller garage door - take a look at the features that make all the difference:

### Good looks inside and out

The outside of the door is simply stunning, the inside equally impressive. Whether you choose a powder coated door with matching guides and box or a laminated door with Mocca brown guides and box, the installation is incredibly neat and compact – no wasted space inside your garage!

Roller garage doors operate vertically, rolling into a compact coil within the garage, above the opening. Not only does this mean you can park right up to the garage door, but valuable space is not taken up inside your garage which could be used for storage. The door sits behind the brickwork allowing any existing frame to be removed, increasing drive-through width by up to 150mm (6").

Because it rolls 'tighter' than other roller doors, AlluGuard takes up less headroom when open - just 300mm. This, and its very compact side runners, means that AlluGuard offers a wider and higher drive-through opening which gives you much more room to manoeuvre.

Externally fitted doors are available in all colour options, although laminate colours are not available with matching guides and boxes.



# Garage doors

## Ultimate safety for total peace of mind

### Practical high performance

Remote control as standard makes operation effortless. The door is practical too - vertical travel allows "park right up" convenience inside and out and provides maximum drive through width and height for MPVs and 4x4s gaining up to 150mm in width when replacing a conventional door and frame. It also allows the door to fit garage openings of all shapes and sizes.

### Safety as standard

AlluGuard is fully compliant and certified with all safety regulations. Our products are designed and tested to withstand several thousand cycles of use under the most demanding climatic conditions.

The door controller features a reliable safe-edge system, which stops and reverses immediately on contact with an obstruction and an inertia activated anti-drop safety brake is supplied on all doors, eliminating the need for door springing. Total peace of mind is integral in the design of AlluGuard.

### Fully Insulated & finished to perfection

AlluGuard is designed to give thermal and acoustic insulating properties much higher than the average garage door.

'CFC' Free Polyurethane Foam within the Aluminium Lath plus high performance weather sealing ensures good insulation - perfect if you want to use your garage as a work/play room or your garage is under a bedroom.

Corrosion resistant aluminium laths, light yet strong, can be finished in a range of solid colours or woodgrain textures.

### Secured by Design

The AlluGuard77 has been designed to the highest standard of security and has been awarded the Secured by Design Police Preferred Specification status, giving you peace of mind that your new garage door is safe and secure.



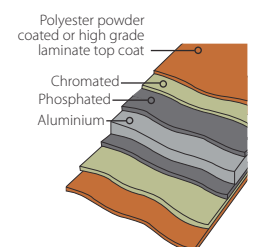
### Emergency override

In the event of a power failure the door can be manually operated with a handcrank. An external override is available as an option for garages with no other entrance.

Doors with a full roll box are available with an optional lockable override cover to prevent unauthorised use.



### AlluGuard door cross section



Find out more on AlluGuard garage Doors by going to our website

## All the features...

All AlluGuard55 garage doors have the same features as the larger AlluGuard77 ensuring you have the latest technology in the tighter spaces. These features include:

- **Secure, Wireless Safety Edges**

All AlluGuard55 doors come with safety fitted as standard with our wireless safety edge solutions.

- **CFC-Free Foam Filled Aluminium Laths**

Ideal for your garage if you want to use your garage as a work/play room or your garage is under a bedroom.

- **Fits All Shapes and Sizes**

Designed to fit a range of openings, the AlluGuard55 gives even more flexibility.

- **Full Box (optional)**

The AlluGuard55 comes as standard with half box with the option to upgrade to a full box.

- **'Park right up' vertical travel**

Along with the various flexibility that the AlluGuard garage doors offer, the AlluGuard55 ensures maximum space in small installations with vertical door travel.

## ...only smaller!

Where headroom is especially tight, the AlluGuard55 offers all the features of the AlluGuard77 but has been developed for situations with limited installation space. Now you can enjoy the benefits of a roller door in even more locations.

The AlluGuard55 only requires 205mm of headroom and is now available up to 3.0 meters wide and 2.4 meters high.

The AlluGuard55 can also be fitted to the exterior front of the garage, the ideal solutions for flat roof garages with no internal headroom. Both internal and external doors are available in laminate options, however the box and guides are not available in laminate finish.



# Insulated roller doors

## Safety as standard

AlluGuard is fully compliant and certified with all safety regulations. Our products are designed and tested to withstand several thousand cycles of use under the most demanding climatic conditions.

The door controller features a reliable safe-edge system, which stops and reverses immediately on contact with an obstruction and an inertia activated anti-drop safety brake is supplied on all doors, eliminating the need for door springing. Total peace of mind is integral in the design of AlluGuard.

## Tighter Roll, Smaller Space

The compact coiling of the AlluGuard55 provides alternate fixing options allowing it to suit tight spaces with reduced headroom.

Rolling tighter onto the spool, the thinner laths mean that the headroom required is reduced to only 205mm.

Now you can have our full range of doors, colours and control systems in more locations.



## Finished to perfection

Aluminium laths are the ideal solution - corrosion resistant, light yet strong. The range of solid, metallic and woodgrain finishes allow a choice sympathetic to your home or the opportunity for a stunning statement.

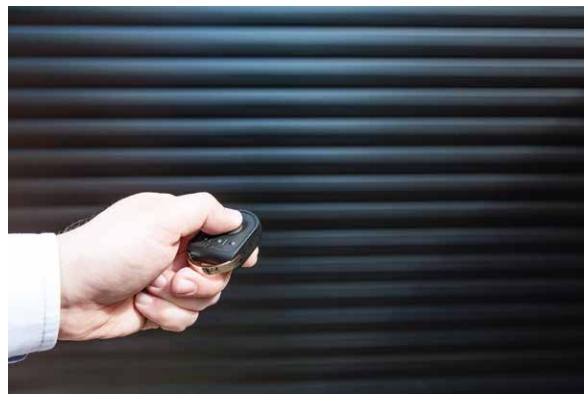
## Practical high performance

Remote control as standard makes operation effortless and secure. With a range of new controls available, operating our range of doors couldn't be easier.

The new Keygo RTS Remote control comes as standard and makes operation of your garage door effortless.



The door is practical too - vertical travel allows "park right up" convenience inside and out, while also providing maximum drive through width and height for MPVs and 4x4s.



## Emergency override

In the event of a power failure the door can be manually operated with a handcrank. An external override is available as an option for garages with no other entrance.

Doors with a full roll box are available with an optional lockable override cover to prevent unauthorised use.

## Operating control systems

As standard AlluGuard Garage Doors are supplied with the market leading Somfy RTS wireless control unit, 2 Keygo RTS hand transmitters and our approved safety edge solution.

An alternative hard wired system with a wired safety edge and other options are available.





## Security and shading

The AlluGuard range of security shutters provides a simple solution to shading and security. An increasingly important aspect of modern life is home security. AlluGuard shutters are designed to provide a physical barrier to entry and a strong visual deterrent when lowered, yet their compact design is unobtrusive when open. On sunny days partial lowering of the shutter offers temperature control through shading. AlluGuard shutters are suitable for both domestic and commercial windows or doorways, offering flexible control of operation that can be easily tailored to suit your requirements.



### Optional remotes and wall units

Introducing a new range of RTS wall switches & remote handsets to suit your needs and surroundings. From the new Smoove wall switch through to the Telis remote, AlluGuard has an option for you.

## Two security levels

All shutters have an extruded anti-lever aluminium bottom lath.

The **AlluGuard44i** shutter curtain is constructed from roll formed, foam filled aluminium lath which is ideal for domestic shading and low security applications.

The **AlluGuard44e** profile offers higher security with all extruded high strength aluminium laths to the shutter curtain.

AlluGuard shutters employ 53mm guide channels in extruded aluminium with a box section for secure fixing to masonry. A 66mm guide is available for increased security applications.

## Motorised or manual as standard

All AlluGuard Window Shutters are available as either motorised or manually operated. There are many options available on motorised AlluGuard window shutters, including "hold to run" and group command.



## Keypad and Switch Options



### Smoove 1 RTS Wall Switch

The wireless wall switch to operate the garage door from inside the house



### Smoove 2 RTS Double Wall Switch

The wireless wall switch to operate your garage doors and shutters from inside the house



# Security shutters



## Specification and Options

The AlluGuard 44i and AlluGuard 44e give you security built in.

Among the features:

- Box Sizes from 180mm
- Strong high quality 53mm extruded aluminium guide sections
- Modern touch sensitive switches



- 44mm lath profile in either foam filled aluminium or high security extruded aluminium
- Anti-lever extruded aluminium bottom lath



## Box Profiles

Shutters are supplied with a complete roll box in one of two profiles, dependent on height:

180mm for shutters up to 2000mm

205mm for shutters over 2000mm

Note: in the open position the curtain hang down below the box is 30mm



**Metal Keypad RTS (IP54)**  
The anti-vandal keypad for secure garage door operation



**RTS Key Switch**  
Externally wall mounted switch with wireless or wired connection



**Wireless RTS Keyless Entry Pad**  
Code operated wireless entry pad offering secure access via 4 to 13 digit codes



**Hold to Run Switch**  
Wired switch to operate garage doors, blinds and security shutters.

## AlluGuard Garage Door Systems

All AlluGuard garage doors come with the following:

- Rollixo RTS Control Unit
- 2 Keygo RTS Keyfobs
- Electrical Safety Edge

### Rollixo RTS

Introducing our new control unit.

The Rollixo RTS is the complete solution for automating your garage door and works with our new range of keyfobs and wall switches.

With an intergrated courtesy light, front panel door controls and intruder protection alarm, our new control unit makes owning an AlluGuard garage door even more useful.



### Keygo Remote

Our standard keyfob has just got better. The Keygo 4 RTS can control doors, gates, lights and more in one stylish handset.

Doors are supplied with two transmitters as standard, with the option to purchase more if needed.

### Safety Edge

All AlluGuard garage doors offer advanced obstacle detection through our Electrical (ESE) or Optical (OSE) approved Safety Edge solution.

Protect your family and property with our highly responsive, wireless solution. The radio safety edge constantly sends a signal to the control box, providing a reliable connection without hanging cables that risk tearing or snagging.

Find out more:



Scan the QR code or visit our website for more information on the Rollixo RTS solution.

[www.alluguard.co.uk](http://www.alluguard.co.uk)

## Automation Accessories

Automated as standard, the features of the AlluGuard77 and AlluGuard55 garage door systems are already at a luxury level.

To further enhance day-to-day use this range of control options provides extra flexibility.

### Smooove Wall Switch

The Somfy remote control, available in single and double fittings, add touch sensitive controls to your new door system.

Available in three colours, you can customise the look and feel of the control unit to match your surroundings.



### Stylish Remotes

The remote handset for general garage door operation in a selection of colours.

With its smart rolling code technology, our new range of controls enable you to operate your garage door without worrying about compromising your security.



### Secure Metal Keypad (IP54)

Introducing our new anti-vandal keypad for secure garage door operation.

With a metal case and secure smart rolling code technology, this keypad gives you peace of mind for secure access to your garage.



### Wireless Digital Keypad

This externally wall mounted keypad will accept a 4 to 13 digital code to operate your garage door for opening and closing without the hand transmitter.

This makes for a secure method of operation where access is required.



### Radio Wall Switch

This wall mounted wireless switch can be installed inside the garage or home for easy operation of your garage door.

Also available wired.



### Wireless Key Switch

This externally wall mounted key switch allows operation without the use of a hand transmitter and is an alternative to our keypads.



# tions

## Rollixo RTS Approved Safety Edge

Fitted as standard to our AlluGuard77 and AlluGuard55 garage doors our new Unique XSE safety edge transmitter works with the Rollixo RTS control unit to offer the highest level of safety and is suitable for both optical and resistive technology, the resistive edge ensures that if anything blocks the safe movement of the door it comes to a safe stop before any damage is caused.



### Optical Safety Edge

No (more) auto-calibration needed

Unique Photocells for Wired or Wireless OSE

Bottom magnet can be added without additional setting

### Electrical Safety Edge

Ergonomics (pairing)

Less constraint on magnets: only bottom magnet required on AG77 (two required on AG55)

## Receivers



### Standard Receiver RTS

The waterproof standard receiver allows keyfobs, keypads and key switches to effortlessly control your garage door.

Can be externally mounted.



### Lighting Slim Receiver RTS

Available as an optional upgrade, our new slim receiver connects a light to the mains power supply to allow control from an RTS control unit.

## Door options

### Powder coated guides

Available in colours to complement AlluGuard doors, powder coated guides have a similar, durable finish to the door curtain and are the perfect finishing touch.

Our standard guide colour and finish for all laminate finishes is Vandyke Brown.

Other powder coated colours are available, however, laminate finish is not.



### Manual Exterior Release

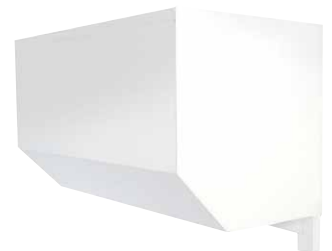
For use in emergencies or in the event of power failure. The manual release allows the door to be opened manually from outside the garage - essential if the garage has no other entry point.



### Curtain roll box

Half and full boxes are available to suit AlluGuard77 doors. Either option will take up 300mm headroom on top of the guide height.

AlluGuard55 doors are supplied with half box as standard. Both half or full box has 205mm headroom on top of the guide height.



### Vision slats

Polycarbonate clear glazing is available for AlluGuard77 (doors on a proportion of the door curtain) to allow natural light into the garage.

Woodgrain finish doors are only available with brown vision laths.

Glazing option not available on AlluGuard55.



### Vented laths

Vented laths are available in powder coated colours only.



# AlluGuard Colours and Finishes

## Low Maintenance Powdercoat Finishes

### AlluGuard 77

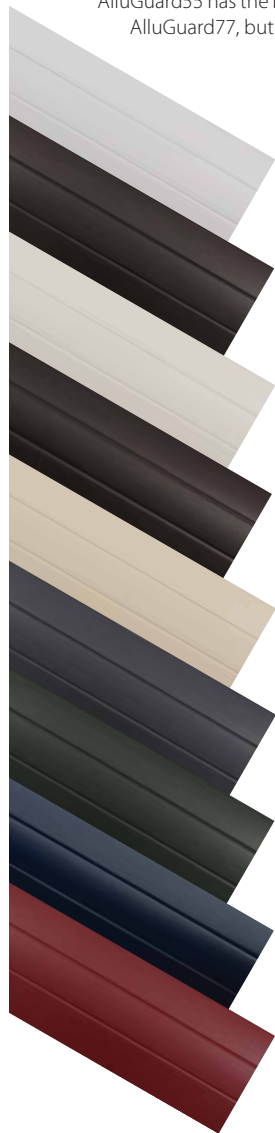
Low maintenance powdercoat finish for all AlluGuard 77 garage doors available in a wide range of colours.



- White\*  
RAL 9016
- Black\*  
RAL 9011
- Cream\*  
RAL 9001
- Mocca Brown\*  
RAL 8019
- Burgundy\*  
RAL 3004
- Graphite\*  
**NEW** for 2015
- Home Cream\*  
RAL 1015
- Anthracite Grey\*  
RAL 7016
- Blue\*  
RAL 5011
- Racing Green\*  
RAL 6009
- Chartwell Green\*  
BS 14 C 35
- Ruby Red\*  
RAL 3003
- Moss Green  
RAL 6005
- Silver  
RAL 9006

### AlluGuard 55

Requiring only 205mm of headroom, the AlluGuard 55 has the benefits of the larger AlluGuard 77, but in a compact space.



- White\*  
RAL 9016
- Black\*  
RAL 9011
- Cream\*  
RAL 9001
- Mocca Brown\*  
RAL 8019
- Home Cream\*  
RAL 1015
- Anthracite Grey\*  
RAL 7016
- Racing Green\*  
RAL 6009
- Blue\*  
RAL 5011
- Burgundy\*  
RAL 3004

### AlluGuard 44

The AlluGuard 44i and AlluGuard 44e Shutters are only available in White and Mocca Brown.



- White\*  
RAL 9016
- Mocca Brown\*  
RAL 8019

### AlluGuard 77

Low maintenance wood effect powdercoat finish for the AlluGuard 77 door are available in the following colours:



- Rosewood\*
- Walnut
- Golden Oak\*
- Irish Oak\*

## Low Maintenance Laminate Finishes



- Mahogany\*
- Golden Oak\*
- Rosewood\*

### AlluGuard 77 & AlluGuard 55

Both the AlluGuard 77 and AlluGuard 55 are available in a low maintenance wood effect laminate finish in Mahogany, Golden Oak or Rosewood.

Colours marked with \* are stock colours. For all other colours please contact our sales office.

Accuracy of colours shown is limited by printing process. Pattern on wood effect laminate finish may vary.

## Colours

AlluGuard offer a wide range of colours to ensure your new garage door not only looks good for years to come, but also matches the look you're after.

From powdercoat finishes through to laminates, we offer a wide range of colours to suit your needs.

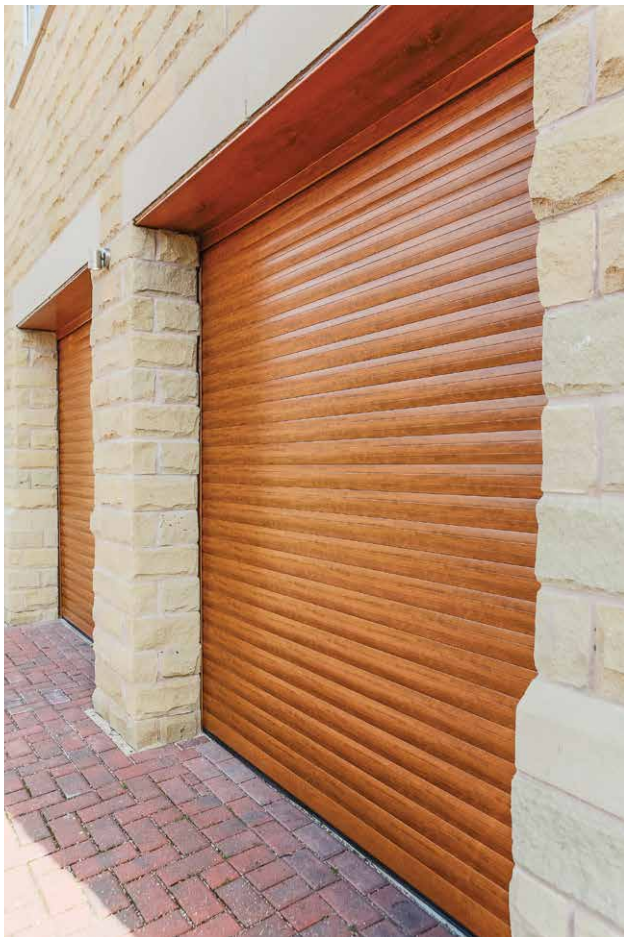
## Powdercoat Finish

Getting the right colour is important to ensure that the look of your new door suits the surrounds and environment it sits in.

AlluGuards powdercoat finish is available in a wide range of colours, finished in a sleek eggshell textured surface.

## Laminate Finish

In addition to the powdercoat finish AlluGuard also offers all our garage doors in an attractive grained textured laminate.



## Notes on colour

Door guides and boxes are available in colours matching the door curtain, except laminate door colours, (supplied in brown). Coloured guide rails are supplied as standard, however, they may not match the lath colour. The manufacturing process for the lath profile results in a textured finish, whilst all other coloured items (guides, bottom laths, lock laths, optional fascias and vision panels) are supplied in a satin finish, so cannot be guaranteed to match exactly. Over time some scuffing may occur on front and rear surfaces of doors as a result of their normal operation.

## Matching Guides and Box

For our Golden Oak and Rosewood doors we offer matching guide rails with both ½ and Full Box options, ensuring the best looking fit and finish on your garage door.

From solid colours through to the laminate wood finish, we can make sure that your surround looks as good as the door itself.



Golden Oak



Golden Oak



Rosewood



Rosewood

# Technical Information



AlluGuard77 as standard includes a new and cleverly engineered connection from the steel barrel to the door curtain.

The elipsed rings provide smoother opening and closing and hugely reduce the noise of the curtain as it operates. The locking ring that holds the door curtain in the closed position and pulls the door curtain upwards, is a huge improvement over the conventional method other manufacturers use, thus providing your AlluGuard77 door with a much improved level of reliability and longevity. Each AlluGuard77 door includes a safety brake device, which is EU compliant and provides you with additional peace of mind should a fault appear.

At AlluGuard we take the approach that quality and reliability in everything we do is what we are judged on each and every day.

We work with only the very best suppliers who have similar beliefs as we do.

Although we design our products to last, marking may occur at the top pf the concave (coil) side of the curtain over time. This is unavoidable and due to prolonged contact with the locking system.



AlluGuard77

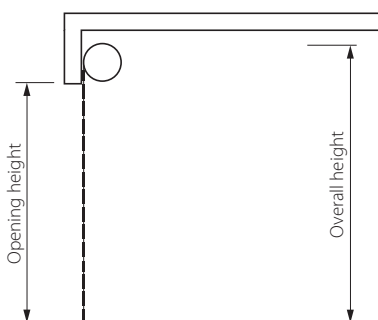


Unique packaging of AlluGuard products provides complete protection all the way through from manufacturing to installation.

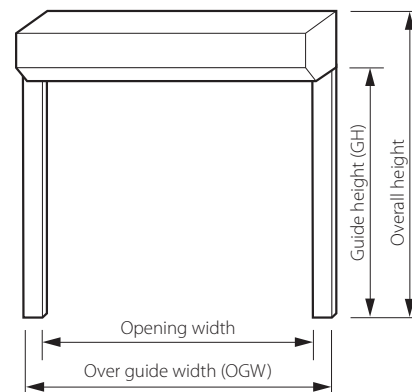


AlluGuard77

## Height measurement guide

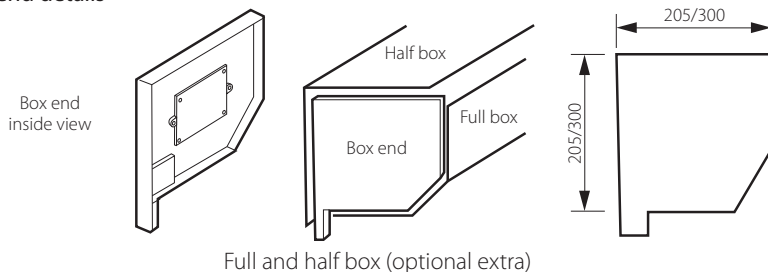


## Width measurement guide



AlluGuard55

## Box end details

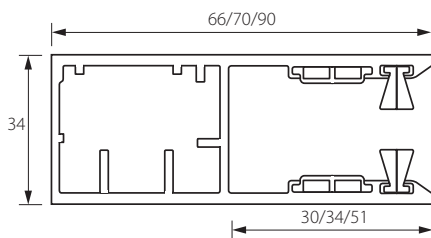


Full and half box (optional extra)

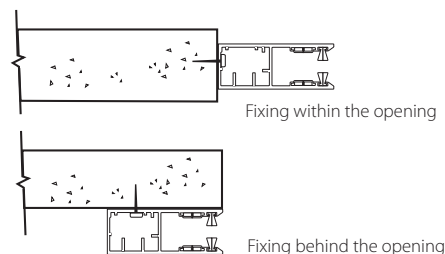


AlluGuard55

## Guide specifications



## Fixing options



## Rollixo RTS

The Rollixo RTS is the complete solution for automated, motorised roller garage doors.

The smart design of the Rollixo RTS ensures that your garage door is installed quickly while still delivering a premium solution.

AlluGuard supply the Rollixo RTS with an approved Safety Edge solution as standard, ensuring that the door stops and reverses on contact with an obstruction.



### Technical Characteristics

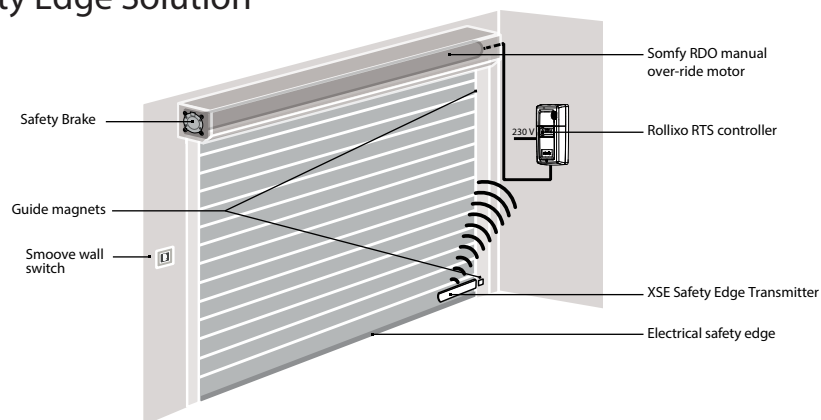
Mains power supply	230Vac - 50/60 Hz
Electrical insulation	Class 1
Maximum motor voltage	230Vac - 750W
Radio Frequency	RTS: 433.42 MHz
Max # of controls	32
Operating Temperature	-20°C to +60°C
Index of protection	IP 20
Integral light	230Vac - 25W max - E14
Safety inputs	3 dry contact inputs for: <ul style="list-style-type: none"> <li>· Wired safety edge: <ul style="list-style-type: none"> <li>- optical or resistive</li> </ul> </li> <li>· Safety brake</li> <li>· Photocell</li> </ul>
Wired control input	Dry contact input: N/O

5 year warranty on Somfy controls & motors

## Your Safety Edge Choices are as follows:

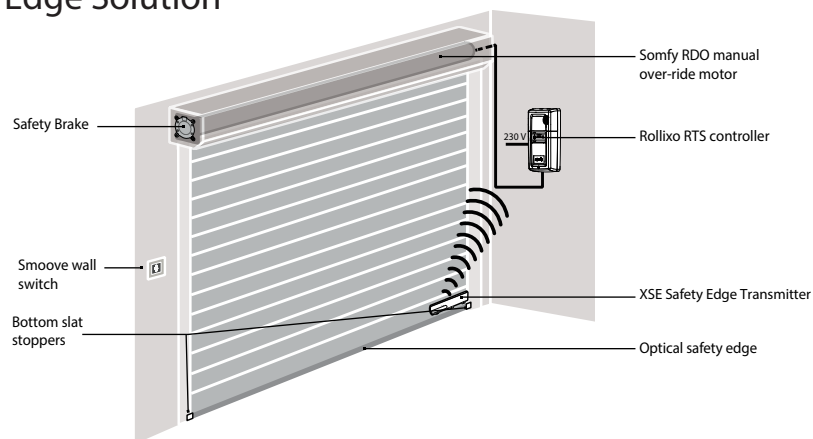
### Rollixo RTS Electrical Safety Edge Solution

- Rollixo RTS controller
- XSE Safety Edge Transmitter
- 2 x Keygo multi-channel keyfobs
- 1 x pair of guide magnets
- Resistive safety edge



### Rollixo RTS Optical Safety Edge Solution

- Rollixo RTS controller
- XSE Safety Edge Transmitter
- 2 x Keygo multi-channel keyfobs
- 1 x pair of optical cells
- 1 x pair of bottom slat stoppers



**ALARM!**



Security as standard with the Rollixo RTS. Used with the safety edge system, the alarm will sound when an attempt is made to manually lift the door.



For further details on AlluGuard products, Accessories and our Rollixo RTS Solution please visit our website:

[www.AlluGuard.co.uk](http://www.AlluGuard.co.uk)

# Product guarantees



**Door & Hardware Federation**

raising standards

**Secured by Design**



Police Preferred Specification



**somfy®**

**ellard**

**AlluGuard**

**AlluGuard Limited**

Rotherham Road, Parkgate, Rotherham S62 6FP

t: 0845 366 5831

f: 0844 412 7592

e: [info@alluguard.co.uk](mailto:info@alluguard.co.uk)

w: [www.alluguard.co.uk](http://www.alluguard.co.uk)



We recycle 95%  
of our waste



A British owned Company

(a) AlluGuard garage doors are guaranteed against any form of manufacturing defect for a period of 2\* years from the date of original purchase.

(b) AlluGuard tubular motors are guaranteed against any form of manufacturing defect for a period of 5 years. Other electrical and mechanical elements within the control system are guaranteed for a period of 5 years

(c) The exterior finish is guaranteed to provide an effective weatherproof membrane which will resist perforation of the substrate from the weather side due to corrosion for the periods indicated below. Colour change or fade to the exterior surface will be limited and uniform during the guarantee period.

Guarantees are subject to the condition as set out below;

1. During the comprehensive 2 year guarantee period AlluGuard Doors Limited undertake to repair or replace (at its discretion), and without charge, products or components which have suffered any form of manufacturing defect. Claims must be notified within 3 days from the date of delivery or within a reasonable time after discovery of any defect.
2. Products covered by these guarantees must have been purchased through an authorised AlluGuard garage door distributor or as original equipment attached to a newly built dwelling.
3. The warranties shall apply for normal use only. Normal use constitutes no more than 5 operations (open/close cycles) per day.
4. The warranties offered attach to the AlluGuard product only and no consequential damages will apply no matter how caused.
5. No liability will be accepted as a result of normal wear and tear, incorrect storage, incorrect handling, faulty installation, incorrect use or wilful damage.
6. Claims under this guarantee must be made through the original supplier and accompanied by relevant documentation indicating the date of purchase (e.g. receipt).
7. AlluGuard Doors Limited maximum liability shall be the original purchase price inclusive of Value Added Tax at the rate prevailing when supplied.
8. Any product which is the subject of a claim:
  - i) Must have been correctly installed in accordance with the installation instructions supplied (Additional copies of which are available on our website).
  - ii) Must be maintained on an annual basis by a suitably qualified AlluGuard Approved Service Engineer who will also carry out a Safety Check in accordance with the terms as set out in the Machinery Directive. Contact AlluGuard for details of your local approved engineer.
  - iii) Must have the manufacturer's reference number still intact (found on the label on the door).
9. Claims will not be accepted where the cause is due to:
  - i) Impact or mechanical damage suffered during or following installation, e.g. scratches, indentations, tears, scuffs or other surface abrasion.
  - ii) Damage or discolouration caused by contact with any form of caustic, abrasive or corrosive substance, fumes, bird droppings, fire, smoke, floodwater, salts, acids, or from exposure to abnormal atmospheric pollution.
10. This guarantee excludes normal wear and tear on items such as brushes in the guides. Rollers part of end plates.
11. Only AlluGuard original spare parts must be used when required. The use of non-AlluGuard parts shall invalidate this guarantee; the warranty period for replacement parts is 6 months or the balance of the original warranty period if greater.
12. The Exterior Finish Guarantee applies only to the weather side surface and where more than 5% of the surface area of the door is affected. Surfaces must be freely exposed to washing by rainfall and kept clear of accumulated dirt and debris and given equal exposure to local environmental conditions and consistent natural lighting conditions across the face of the door. Scratches and marks to both sides of the door curtain are normal, therefore are not part of any warranty. Special attention is drawn to Clause (9) (ii). If all of the inclusions within this guarantee are followed and with the consultation of the manufacturer of the door curtain material the exterior finish is guaranteed for 5 years from installation.
13. The guarantee period for electric operators excludes batteries, fuses and light bulbs.
14. Parts replaced free of charge become the property of AlluGuard Doors Limited.
15. Attempted repairs by non-qualified individuals shall invalidate this guarantee.
16. The specific terms of this guarantee shall only apply to products purchased on or after May 2010 within the UK and Eire.
17. AlluGuard garage doors and associated products are sold subject to the AlluGuard Doors Limited Standard Terms and Conditions of Sale, copies of which are available upon request. AlluGuard Doors Limited shall not be liable as a result of any representation, implied warranty or other term or condition or for any consequential loss or damage, costs, expenses or other claims whatsoever except as expressly set out in these Terms and Conditions of sale.